



VENDED LAUNDRY T-450 EXPRESS STACK WASHER-DRYER



T-450 EXPRESS STACK WASHER-DRYER

Dexter C-Series Powered by DexterLive Controls

Vended laundry solutions you can depend on.

Dexter C-Series vended stack washer-dryers are engineered to show up for work in even the harshest laundry environments. Featuring DexterLive controls, next generation components, and high quality materials, these space saving combination units are designed to help make you more successful.

A store full of laundry equipment is a big investment and choosing the right equipment is an important decision. Our products will provide you the efficiency, flexibility, performance, and durability you need to be confident in your choice. With lifetime technical support and an industry leading warranty, you can be confident that we will stand behind every stack washer-dryer you invest in.

Contact your Dexter Authorized Distributor today for more details.

DURABLE:

With heavy-duty bearings in cast iron bearing housings, welded steel spiders and shafts, and rugged frame and cabinet designs, Dexter stack washer-dryers are built to last.

The washer design has been tested thoroughly with our 1,000 hour test.

The polished chrome doors and AISI 304 stainless steel tub, cylinder, and panels keep machines looking great for years.

The screw resistant tumbler hole pattern minimizes tumbler damage.

RELIABLE:

We offer an industry leading 10 year limited warranty on the washer and a 5 year limited warranty on the dryer.

A 3 year parts warranty covers the rest.

We stand behind every machine you invest in with lifetime technical support.

EFFICIENT:

With a dry-to-dry time of less than one hour, Dexter stack washer-dryers work fast and efficiently.

A next generation inverter drive on the washer lowers electrical usage and improves performance.

Powerful Express 200 g-force extraction removes more water to reduce dry time and helps reduce energy costs.

The electronic pressure sensor offers a range of water level options to increase efficiency and help save water.

INSTALLATION:

This combination unit provides a full laundry solution in a single footprint and is ideal for laundries with limited space.

The adjustable final extract speed allows the unit to fit almost any location.

This Dexter unit fits through a standard 36" door way.

PROFITABLE:

Every Dexter machine is now easier to use with a common user interface on all products, multiple language options, and detailed customer prompts.

DexterLive controls work with DexterLive.com to allow you to create custom programs that fit your business.

A variety of PLUS cycle features and promotion options will help you maximize revenue generation.

OPTIONS:

Available with blue or black graphics, stainless steel or galvanized dryer tumblers, and chrome or stainless steel dryer doors.

Your machines can be shipped with coin acceptors or payment system ready.

Gas models, with propane kits available.

EMPLOYEE OWNED | MADE IN THE USA | SINCE 1894

DEXTER.COM

2211 WEST GRIMES AVENUE, FAIRFIELD, IOWA 52556 USA

1.800.524.2954

T-450 EXPRESS STACK WASHER / DRYER SPECIFICATIONS

OVERALL SPECIFICATIONS:

Capacity:		
Dry Weight Capacity (per machine)	30 lb	(13.6 kg)
Washer Cylinder Volume	4 cu ft	(113.3 L)
Dryer Cylinder Volume	11.3 cu ft	(320 L)
Speed:		
Washer High Extract Speed	200 g	(750 RPM)
Washer Intermediate Extract Speed	60 g	(411 RPM)
Washer Washing Speed	0.9 g	(50 RPM)
Washer Motor Size	2 hp	(1.5 kW)
Dryer Tumbler Speed	47 RPM	
Dryer Motor Size	0.5 hp	(0.38 kW)
Airflow (Dryer Only):		
60 Hz Model	500 cfm	(14.6 M3/min)
50 Hz Model	450 cfm	(12.7 M3/min)
Dimensions:		
Overall Height	78 3/4"	(200 cm)
Overall Width	31 1/2"	(80 cm)
Overall Depth	47 5/16"	(120.2 cm)
Washer Dimensions:		
Washer Cylinder Diameter	25"	(63.5 cm)
Washer Cylinder Depth	14 1/8"	(35.9 cm)
Washer Door Opening	15 1/4"	(38.7 cm)
Floor to Washer Door Bottom	12 7/16"	(31.6 cm)
Dryer Dimensions:		
Dryer Cylinder Diameter	30"	(76.2 cm)
Dryer Cylinder Depth	27 1/2"	(69.9 cm)
Dryer Door Opening	22 11/16"	(57.6 cm)
Floor to Dryer Door Bottom	46 15/16"	(119.2 cm)
Dryer Lint Screen Area	453 sq in	(2923 sq cm)
Weight:		
Net Weight	1051 lbs	(476.7 kg)
Shipping Information:		
Shipping Weight	1101 lbs	(499.4 kg)
Shipping Height	83 1/4"	(211.5 cm)
Shipping Width	33"	(83.8 cm)
Shipping Depth	54"	(137.2 cm)
Installation Recommendations:		
Minimum Clearance Between Machines	1/2"	(1.3 cm)
Minimum Clearance Behind Machines	24"	(61 cm)
Minimum Concrete Thickness	6"	(15.2 cm)
Make-Up Air Required	1 sq ft	(929 sq cm)
Exhaust Size	6"	(15.2 cm)

WASHER REQUIREMENTS:

Water Requirements:		
Water Inlet Size	3/4"	(19 mm)
Flow Rate (per min)	9 gal	(34.1 L)
Pressure (min/max)	30-120 psi	(207-827 kPa)
Approximate Water Usage (per cycle)	23.5 gal	(89 L)
Approximate Hot Water Usage (per cycle)	3.9 gal	(14.8 L)
Drain Diameter (O.D.)	3"	(7.6 cm)
Floor to Center of Drain	4 7/16"	(11.3 cm)

Electrical Requirements:

Model	Volts / Hz / Phase / Wiring	Circuit Breaker / Running Amps / Wire Size
-12	208-240 / 60 / 1 / 2 wire + ground	15 amp / 6.2 amp / #12
-12	208-240 / 60 / 3 / 3 wire + ground	15 amp / 6.2 amp / #12
-39	230 / 50 / 1 / 2 wire + ground	15 amp / 6.2 amp / 3.5 mm ²
-59	230 / 50 / 1 / 2 wire + ground	15 amp / 6.2 amp / 3.5 mm ²

DRYER REQUIREMENTS:

Gas Requirements (Gas Models Only):

Gas Supply Connection	1/2"	(12.7 mm)
Natural Gas Supply (Water Column)	5-10"	(12.7 - 25.4 cm)
LP Gas Supply (Water Column)	11 1/2 - 14"	(29.2 - 35.5 cm)

Gas Usage (Gas Models Only):

60Hz Model	80,000 BTU/hr	(23.4 kW)
50Hz Model	74,000 BTU/hr	(21.7 kW)

Electrical Requirements:

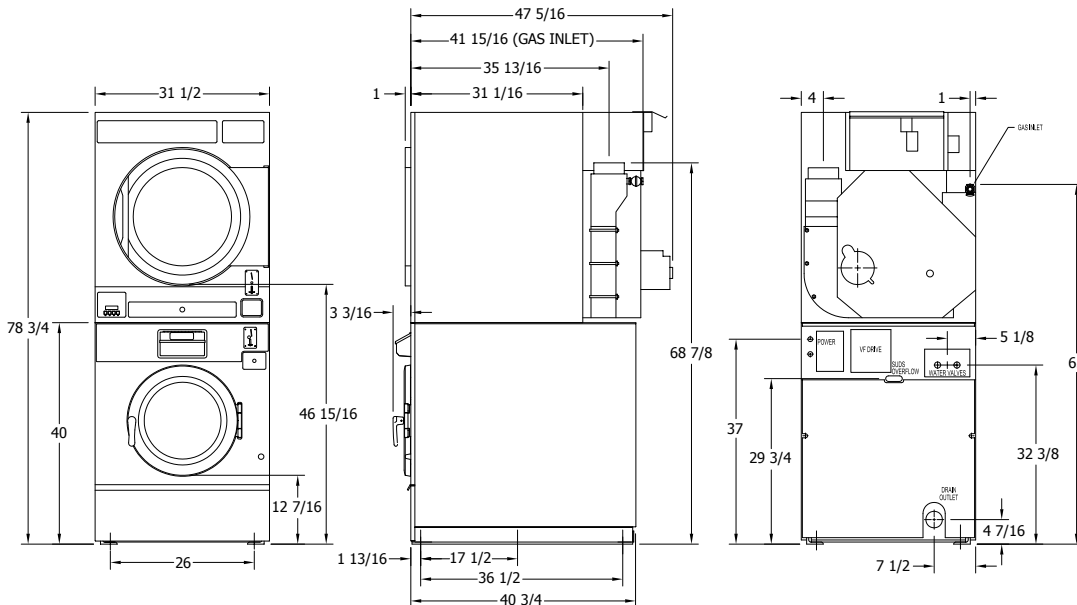
Gas Models:

Model	Volts / Hz / Phase / Wiring	Circuit Breaker / Running Amps / Wire Size
-10	120 / 60 / 1 / 2 wire + ground	15 amp / 9.8 amp / #12
-39	230 / 50 / 1 / 2 wire + ground	15 amp / 5 amp / 3.5 mm ²
-59	230 / 50 / 1 / 2 wire + ground	15 amp / 5 amp / 3.5 mm ²

Electric Models:

Model	kW / Volts / Hz / Phase / Wiring	Circuit Breaker / Running Amps / Wire Size
-79	24 / 400 / 50 / 3 / 4 wire + ground	50 amp / 45 amp / 13.3 mm ²

AGENCY APPROVALS*



FRONT

SIDE

BACK

Due to continuous product improvements specifications are subject to change, please consult the installation manual for the most accurate information.

*Agency approvals may vary depending on the machine configuration, consult Dexter Laundry or your Dexter Authorized Distributor for details.